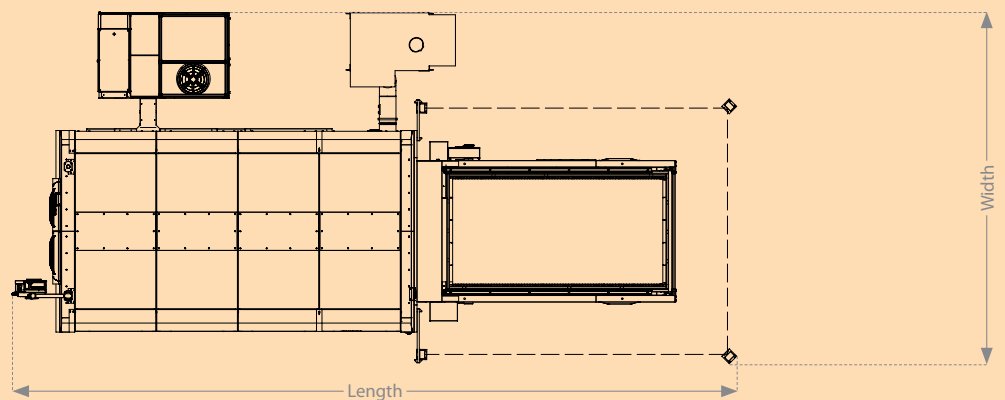
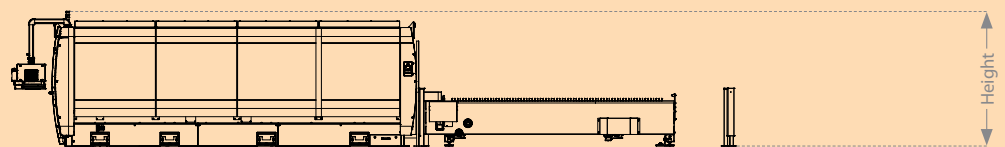


Technical Data

BySprint Fiber

	BySprint Fiber 3015	BySprint Fiber 4020	BySprint Fiber 6520	BySprint Fiber 8020	
Length	11 000	13 700	19 400	22 400	mm
Width	6050	6050	6050	6050	mm
Height	2565	2565	2565	2565	mm



Laser cutting system		BySprint Fiber 3015	BySprint Fiber 4020	BySprint Fiber 6520	BySprint Fiber 8020	
Nominal sheet size	x	3000	4000	6500	8000	mm
	y	1500	2000	2000	2000	
Cutting area	x	3048	4064	6614	8100	mm
	y	1524	2032	2032	2030	
	z	70	70	70	70	
Maximum positioning speed parallel axis x, y		100	100	100	100	m/min
Maximum simultaneous positioning speed		140	140	140	140	m/min
Positioning accuracy Pa*		± 0,1	± 0,1	± 0,1	± 0,1	mm
Repeatability Ps*		± 0,05	± 0,05	± 0,05	± 0,05	mm
Maximum workpiece weight		890	1580	2550	3300	kg
Machine weight**		12000	15000	21500	27700	kg
Operation via panel		ByVision Touchscreen and manual control unit				

Laser source	Fiber 2000	Fiber 3000	Fiber 4000	Fiber 6000	
Power	2000	3000	4000	6000	W
Control range	200–2000	300–3000	400–4000	600–6000	W
Wavelength	Fiber	Fiber	Fiber	Fiber	
Maximum sheet thicknesses***					
Steel	12	20	20	25	mm
Stainless steel	6	12	15	30	mm
Aluminum	8	12	15	30	mm
Brass	4	6	8	15	mm
Copper	3	6	8	12	mm
Total electrical consumption of system**** (3015/4020 + 6520/8020)	17,3/–	21,3/22,7	25,3/26,7	30/31,4	kW

* According to VDI/DGQ 3441 measuring length 1 m. The precision of the sheet metal part depends on the material in question and its pretreatment as well as the sheet size and its temperature

** Entire system without exhaust and chiller

*** In order to cut the maximum thicknesses, the following conditions must be met
– optimally maintained and adjusted laser cutting systems
– the materials must be of the quality specified by Bystronic (laser materials)

**** Entire system with exhaust and chiller

The right to make changes to dimensions, construction, and equipment is reserved. ISO-9001-certified.



TRUST PACK FIBER
by Bystronic

* Trust Pack Fiber: Extended warranty on high-quality laser source parts

Bystronic: Best choice.

Laser | Bending | Waterjet
bystronic.com