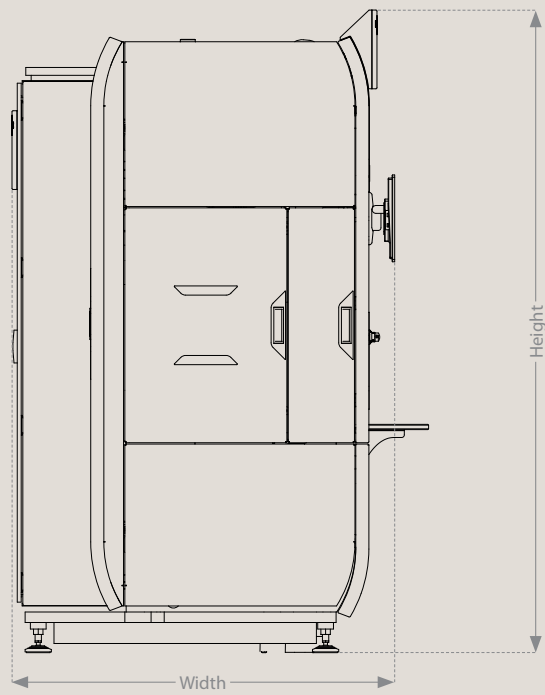
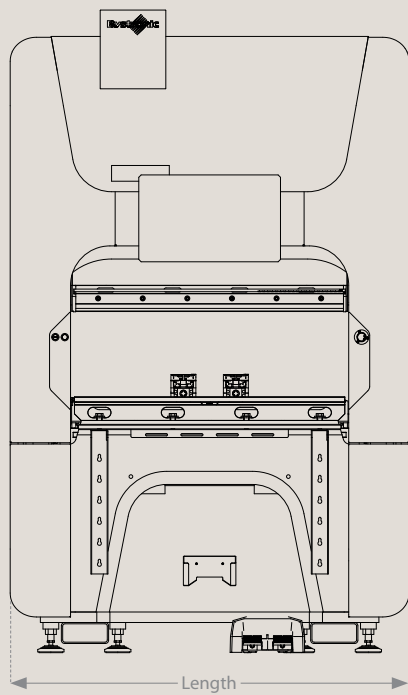


Technical Data

Xpert 40

Xpert
40/1030

Length	1520	mm
Width	1584	mm
Height	2449	mm



Type	Xpert 40/1030	
Tonnage	400	kN
Bending length	1030	mm
Standard stroke	200	mm
Open height	515	mm
Distance between the side stands	1060	mm
Table width	60	mm
Max. backgauge range in X	500	mm
X-axis travel	300	mm
X-axis speed	1500	mm/s
R-axis travel	100	mm
R-axis speed	500	mm/s
Z-axis travel	955	mm
Z-axis speed	2000	mm/s
Max. Y-rapid traverse	300	mm/s
Max. Y-working speed	25	mm/s
Y-axis accuracy	0,004	mm
Oil capacity	100	l
Main motor power	7,5	kW
Weight	4	t

The right to make changes to dimensions, construction, and equipment is reserved. ISO-9001-certified.

Bystronic: Best choice.

Laser | Bending | Waterjet
bystronic.com