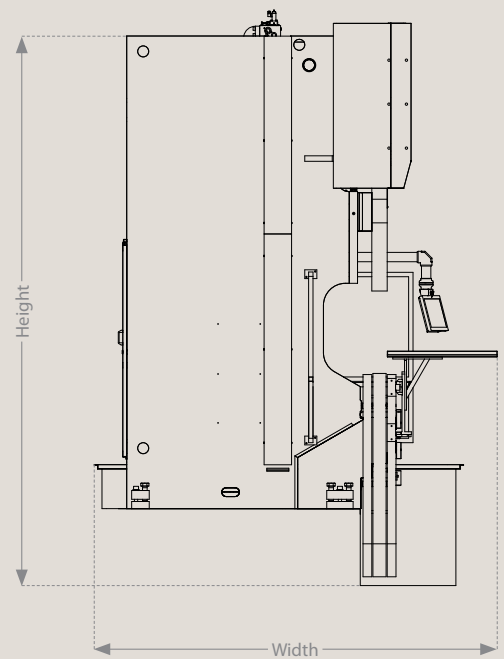
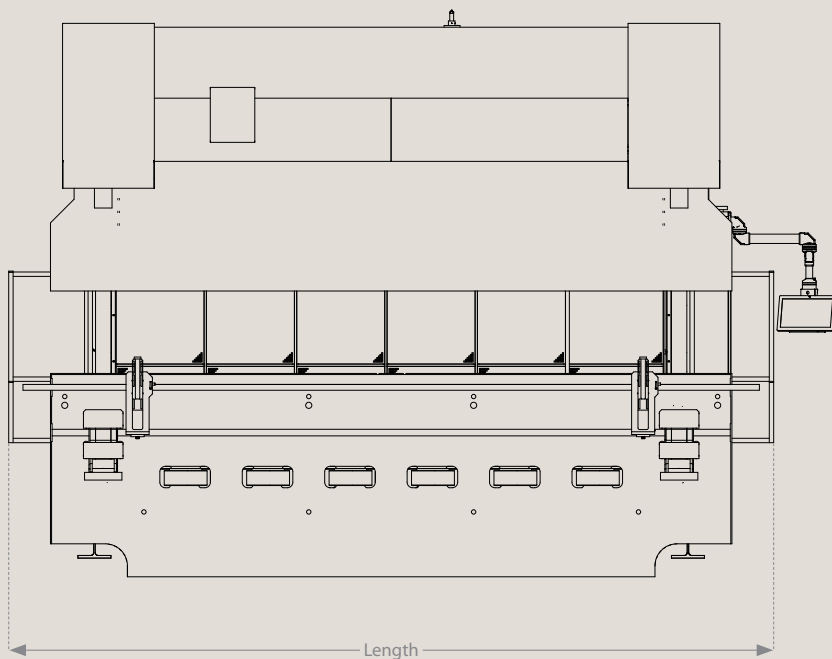


Technical Data

Xpert 500–650

	Xpert 500/4100	Xpert 500/5100	Xpert 500/6200	Xpert 500/7200	Xpert 500/8200	
Length	4920	5920	6920	7920	8920	mm
Width	3595	3595	3680	3980	4280	mm
Height	2610	2610	2610	2610	2610	mm

	Xpert 650/4100	Xpert 650/5100	Xpert 650/6200	Xpert 650/7200	Xpert 650/8200	
Length	5860	5860	6960	7960	8960	mm
Width	3770	3770	3880	4080	4280	mm
Height	2645	2645	2645	2645	2645	mm



Type	Xpert 500/4100	Xpert 500/5100	Xpert 500/6200	Xpert 500/7200	Xpert 500/8200	
Tonnage	5000	5000	5000	5000	5000	kN
Bending length	4100	5100	6200	7200	8200	mm
Standard stroke	365	365	365	365	365	mm
Open height	650	650	650	650	650	mm
Distance between the side stands	3600	4600	5100	6100	7100	mm
Throat	500	500	500	500	500	mm
Table width	110	110	110	110	110	mm
Max. backgauge range in X (2/4/5 axes)	1100	1100	1100	1100	1100	mm
X-axis travel (2/4/5 axes)	700	700	700	700	700	mm
X-axis speed (2/4/5 axes)	500	500	500	500	500	mm/s
X-axis accuracy (2/4/5 axes)	0,02	0,02	0,02	0,02	0,02	mm
R-axis travel (2/4/5 axes)	250	250	250	250	250	mm
R-axis speed (2/4/5 axes)	150	150	150	150	150	mm/s
R-axis accuracy (2/4/5 axes)	0,1	0,1	0,1	0,1	0,1	mm
Z-axis travel	2900	3700	4400	5400	6400	mm
Z-axis speed (4/5 axes)	1000	1000	1000	1000	1000	mm/s
Z-axis speed (6 axes)	800	800	800	800	800	mm/s
Z-axis accuracy (4/5 axes)	0,1	0,1	0,1	0,1	0,1	mm
Max. Y-rapid traverse	100	100	100	100	100	mm/s
Max. Y-working speed	1-10	1-10	1-10	1-10	1-10	mm/s
Y-return speed	115	115	115	115	115	mm/s
Y-axis accuracy	0,01	0,01	0,01	0,01	0,01	mm
Oil capacity	1000	1050	1100	1200	1300	l
Main motor power	37	37	37	37	37	kW
Weight	41	46	54	64	73	t
Side frame underfloor	0	0	0	0	0	mm
Lower beam underfloor	600	750	800	950	1000	mm

The right to make changes to dimensions, construction, and equipment is reserved. ISO-9001-certified.

Type	Xpert 650/4100	Xpert 650/5100	Xpert 650/6200	Xpert 650/7200	Xpert 650/8200	
Tonnage	6500	6500	6500	6500	6500	kN
Bending length	4100	5100	6200	7200	8200	mm
Standard stroke	365	365	365	365	365	mm
Open height	650	650	650	650	650	mm
Distance between the side stands	3500	4500	5100	6100	7100	mm
Throat	500	500	500	500	500	mm
Table width	110	110	110	110	110	mm
Max. backgauge range in X (2/4/5 axes)	1100	1100	1100	1100	1100	mm
X-axis travel (2/4/5 axes)	700	700	700	700	700	mm
X-axis speed (2/4/5 axes)	500	500	500	500	500	mm/s
X-axis accuracy (2/4/5 axes)	0,02	0,02	0,02	0,02	0,02	mm
R-axis travel (2/4/5 axes)	250	250	250	250	250	mm
R-axis speed (2/4/5 axes)	150	150	150	150	150	mm/s
R-axis accuracy (2/4/5 axes)	0,1	0,1	0,1	0,1	0,1	mm
Z-axis travel	2700	3700	4400	5400	6400	mm
Z-axis speed (4/5 axes)	1000	1000	1000	1000	1000	mm/s
Z-axis speed (6 axes)	800	800	800	800	800	mm/s
Z-axis accuracy (4/5 axes)	0,1	0,1	0,1	0,1	0,1	mm
Max. Y-rapid traverse	100	100	100	100	100	mm/s
Max. Y-working speed	1–10	1–10	1–10	1–10	1–10	mm/s
Y-return speed	95	95	95	95	95	mm/s
Y-axis accuracy	0,01	0,01	0,01	0,01	0,01	mm
Oil capacity	1150	1150	1300	1600	1600	l
Main motor power	45	45	45	45	45	kW
Weight	51	59	68	76	91	t
Side frame underfloor	400	400	400	400	400	mm
Lower beam underfloor	750	900	1100	1250	1400	mm

The right to make changes to dimensions, construction, and equipment is reserved. ISO-9001-certified.

Bystronic: Best choice.

Laser | Bending | Waterjet
bystronic.com